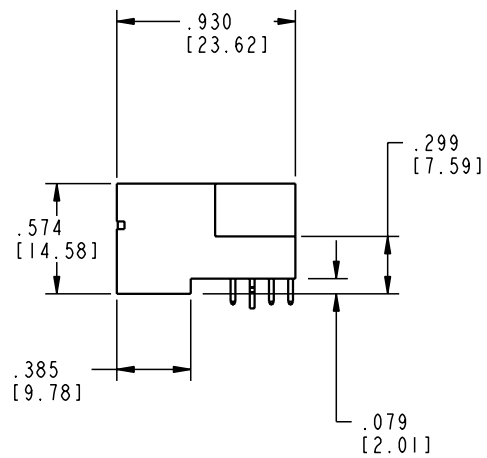
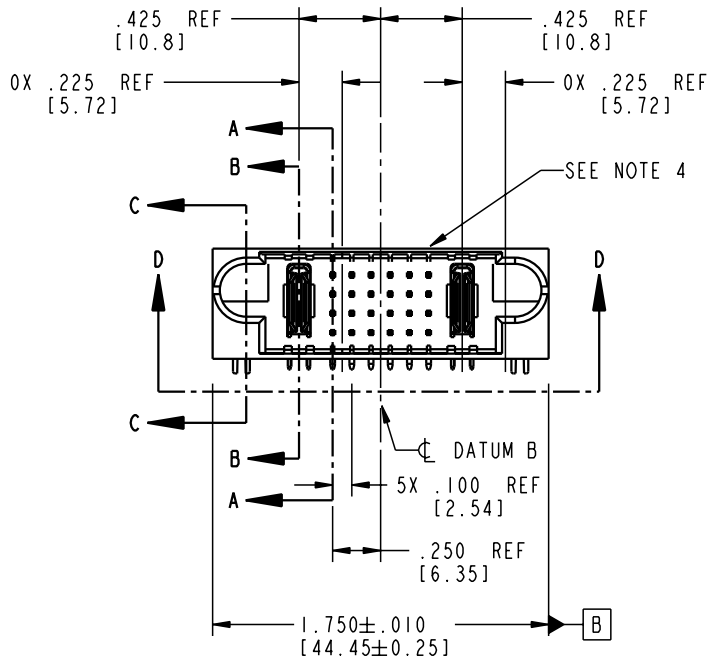
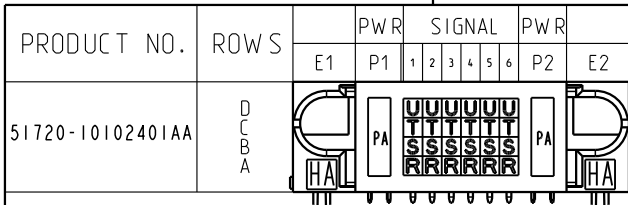


Tous droits strictement réservés. Reproduction ou communication o des tiers interdite sous quelque forme que ce soit sans autorisation écrite du propriétaire. Propriété de c FCI. Droits de reproduction FCI.



All rights strictly reserved. Reproduction or issue to third parties in any form whenever is not permitted without written authority from the proprietor. Property of FCI. Copyright FCI.



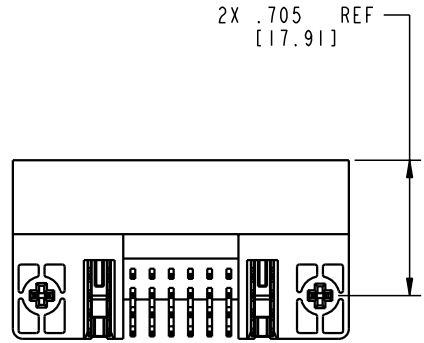
CODE	DIM "M" MATING LENGTH	CONTACT TYPE
R	.270 [6.86]	SIGNAL
S	.270 [6.86]	SIGNAL
T	.270 [6.86]	SIGNAL
U	.270 [6.86]	SIGNAL
PA	N/A [N/A]	POWER
HA	N/A [N/A]	HOLD-DOWN

mat'l code				SEE NOTE 2		tolerances unless otherwise specified		CUSTOMER		ELECTRONICS www.fciconnect.com	
ltr	ecn no.	dr	date	linear	.XX ± .01 / 0.X ± 0.3		COPY		projection		
A	V11524	JWS	5/2/01		.XXX ± .005 / 0.XXX ± 0.13		INCH/MM				
B	V12844	DAI	12/27/01		.XXX ± .0020 / 0.XXX ± 0.051		scale				
				angles	0° ± 2°		1:1		title IP + 24S + IP RIGHT ANGLE SOLDER HEADER product family PwrBlade code 213 size dwg no 51720-10102401AA sheet 1 of 4		
sheet index	revision sheet	B 1	B 2	B 3	B 4					cage code 22526	

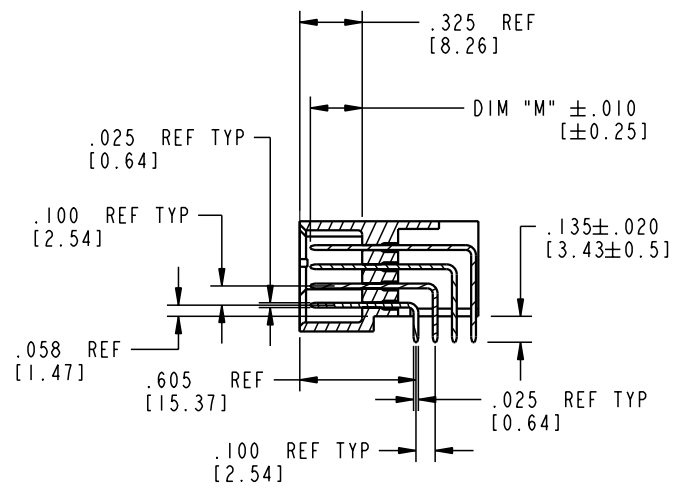
Tous droits strictement réservés. Reproduction ou communication o des tiers interdite sous quelque forme que ce soit sans autorisation écrite du propriétaire. Propriete de c FCI. Droits de reproduction FCI.

All rights strictly reserved. Reproduction or issue to third parties in any form whatever is not permitted without written authority from the proprietor. Property of FCI. Copyright FCI.

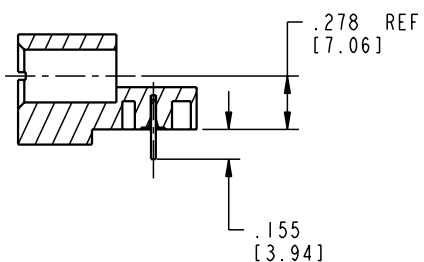
PRODUCT NUMBER
51720-1010240AA



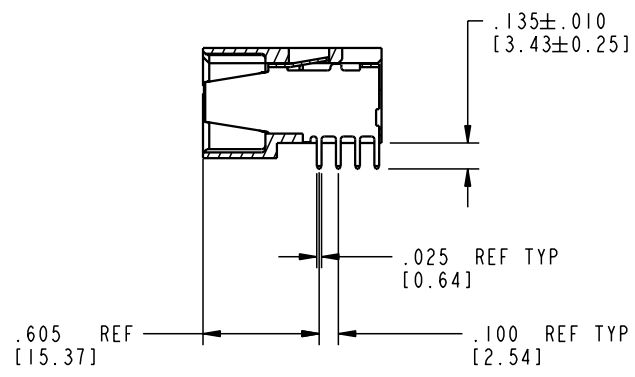
SECTION D-D



SECTION A-A



SECTION C-C



SECTION B-B

mat'l code				SEE NOTE 2		tolerances unless otherwise specified		CUSTOMER		ELECTRONICS www.fciconnect.com	
ltr	ecm no.	dr	date	linear	.XX±.01/0.X±0.3		COPY		 projection	title	
B					.XXX±.005/0.XXX±0.13		INCH/MM			IP + 24S + IP	
				angles	.XXX±.0020/0.XXX±0.051		 scale		RIGHT ANGLE SOLDER HEADER		
				dr	J. SHAFFER	5/2/01	product family		PwrBlade	code	
				enr	J. ALLISON	5/2/01	size		dwg no	213	
				chr	J. ALLISON	5/2/01	A		51720-1010240IAA	sheet	
				appd	J. ALLISON	5/2/01	1:1			2 of 4	
sheet index		revision sheet									

cage code 22526

Pro/E

Tous droits strictement réservés. Reproduction ou communication o des tiers interdite sous quelque forme que ce soit sans autorisation écrite du propriétaire. Propriete de c FCI. Droits de reproduction FCI.



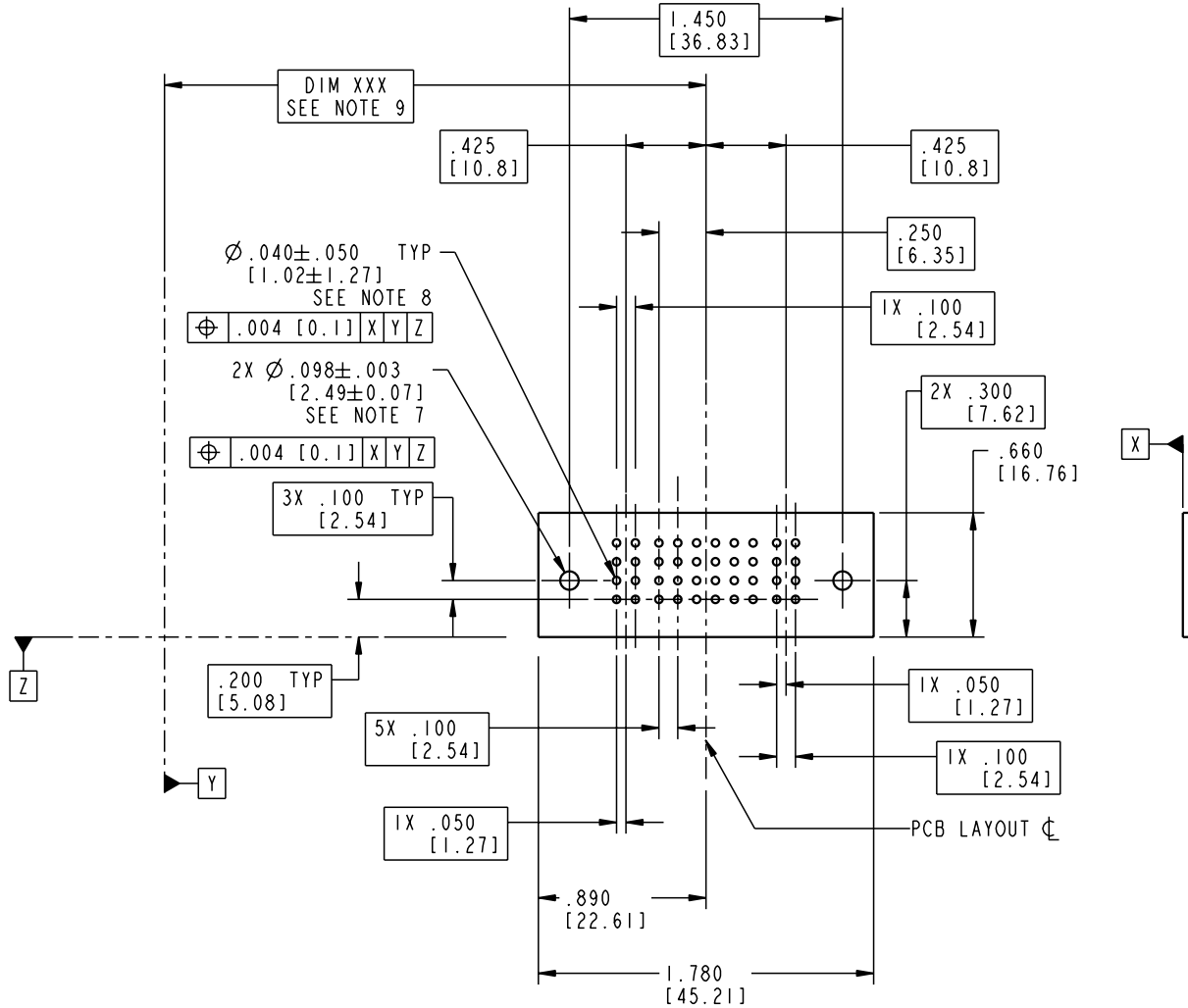
All rights strictly reserved. Reproduction or issue to third parties in any form whatever is not permitted without written authority from the proprietor. Property of FCI. Copyright FCI.

PRODUCT NUMBER
51720-1010240AA

1 | 2

3 |

4



RECOMMENDED PCB LAYOUT

mat'l code				SEE NOTE 2		tolerances unless otherwise specified		CUSTOMER		ELECTRONICS www.fciconnect.com	
ltr	ecn no.	dr	date	linear	.XX±.01/0.X±0.3		COPY		 INCH/MM scale 1:1	title	
B					.XXX±.005/0.XX±0.13		projection			IP + 24S + IP	
					.XXX±.002/0.XX±0.051					RIGHT ANGLE SOLDER HEADER	
				angles	0°±?		dr		product family		
					J. SHAFFER 5/2/01		enr		PwrBlade		
					J. ALLISON 5/2/01		chr		code		
					J. ALLISON 5/2/01		appd		213		
					J. ALLISON 5/2/01				sheet		
sheet index		revision sheet						size		3 of 4	
								A 51720-10102401AA			

1 | 2

Pro/E

3 |

cage code 22526

4

PDM: Rev:B

STATUS: Released

Printed: Aug 12, 2007

Tous droits strictement réservés. Reproduction ou communication o des tiers interdite sous quelque forme que ce soit sans autorisation écrite du propriétaire. Propriete de c FCI. Droits de reproduction FCI.



All rights strictly reserved. Reproduction or issue to third parties in any form, whatever is not permitted without written authority from the proprietor. Property of FCI. Copyright FCI.

PRODUCT NUMBER
51720-1010240AA

NOTES:

1. DIMENSIONS AND TOLERANCES ARE IN ACCORDANCE WITH ASME Y14.5M, 1994 UNLESS OTHERWISE SPECIFIED.

CONNECTORS NOTES:

② HOUSING MATERIAL: UL 94 V-0 GLASS FILLED HIGH TEMP THERMO PLASTIC
POWER CONTACT MATERIAL: COPPER ALLOY
SIGNAL PIN MATERIAL: COPPER ALLOY

3. PLATING:

SIGNAL PINS: 30u"/0.76um Au OVER 50u"/1.27um Ni
POWER CONTACTS: 50u"/1.27um Ni UNDER ALL WITH 30u"/0.76um Au ON CONTACT AREA AND SnPb ON PCB INTERFACE

④ "MANUFACTURER" NAME, P/N, AND DATE CODE TO APPEAR ON THIS SURFACE.

5. PRODUCT SPECIFICATION GS-12-149.

PCB - NOTES:

6. ALL HOLE DIAMETERS ARE FINISHED HOLE SIZE.

⑦ HOLD DOWN THROUGH HOLES ARE UNPLATED.

⑧ $\varnothing .0453 \pm 0.0010$ [1.151 \pm 0.025] DRILLED HOLES PLATED WITH 0.0003 [0.008] MIN SnPb OVER .001 [0.03] TO .003 [0.08] Cu PLATING TO ACHIEVE $\varnothing .040 \pm .003$ [1.02 \pm .07] HOLE.

⑨ "DIM XXX" TO BE DETERMINED BY THE CUSTOMER.

mat'l code				SEE NOTE 2		tolerances unless otherwise specified		CUSTOMER		ELECTRONICS www.fciconnect.com	
ltr	ecr no.	dr	date	linear	.XX ± .01/0.X ± 0.3		COPY			title	
B					.XXX ± .005/0.XX ± 0.13		INCH/MM			IP + 24S + IP	
				angles	.XXX ± .0020/0.XXX ± 0.051		scale		RIGHT ANGLE SOLDER HEADER		
				dr	J. SHAFFER	5/2/01	A		product family		
				enr	J. ALLISON	5/2/01	1:1		PwrBlade		
				chr	J. ALLISON	5/2/01			code		
				appd	J. ALLISON	5/2/01			213		
sheet index		revision sheet						size		sheet	
								A		4 of 4	
								51720-10102401AA			

cage code 22526

Pro/E

PDM: Rev:B

STATUS: Released

Printed: Aug 12, 2007